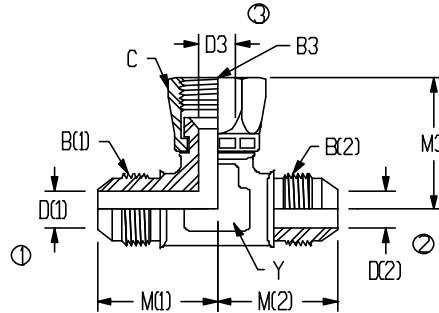


**TBS: MJIC X FJIC SWIVEL BRANCH TEE**

MATERIAL: FORGED BRASS  
 ASTM: B-124  
 TYPE: CA-377  
 TEMP RANGE: -65° - 250° F



| PART NO | TUBE OD     | B (1)<br>UN/UNF-2A | B (2)<br>UN/UNF-2A | B (3)<br>UN/UNF-2B | M (1) | M (2) | M3   | C    | Y    |
|---------|-------------|--------------------|--------------------|--------------------|-------|-------|------|------|------|
| TBS666F | 3/8-3/8-3/8 | 9/16-18            | 9/16-18            | 9/16-18            | 1.06  | 1.06  | 1.25 | 0.69 | 0.56 |

| PART NO | D (1) | D (2) | D3   | Working Pressure |
|---------|-------|-------|------|------------------|
| TBS666F | 0.30  | 0.30  | 0.30 | 2925             |

