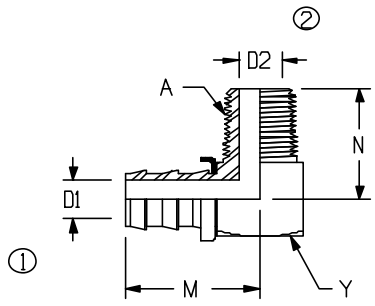


PLE: PUSH-ON HOSE BARB X MNPT 90 DEGREE ELBOW

MATERIAL: BRASS
 ASTM: B-16
 TYPE: CA-360
 TEMP RANGE: -40° - 200° F



| PART NO | HOSE I.D. | A NPT | M | N | BARB LENGTH | D1 | D2 | Working Pressure |
|---------|-----------|--------|-------|-------|-------------|------|------|------------------|
| PLE42 | 1/4 | 1/8-27 | 1.045 | .771 | .737 | .185 | .243 | 300 psi |
| PLE44 | 1/4 | 1/4-18 | 1.000 | .91 | .84 | .185 | .314 | 300 psi |
| PLE64 | 3/8 | 1/4-18 | 1.428 | .963 | .969 | .271 | .314 | 300 psi |
| PLE66 | 3/8 | 3/8-18 | 1.247 | .882 | .879 | .296 | .400 | 300 psi |
| PLE86 | 1/2 | 1/2-14 | 1.410 | .904 | 1.088 | .391 | .404 | 300 psi |
| PLE88 | 1/2 | 1/2-14 | 1.476 | 1.188 | 1.038 | .387 | .564 | 300 psi |
| PLE1212 | 3/4 | 3/4-14 | 2.092 | 1.286 | 1.567 | .668 | .812 | 300 psi |

