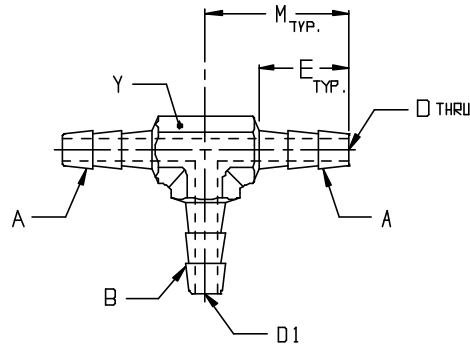


FBT: HOSE BARB UNION TEE

MATERIAL: FORGED BRASS
 ASTM: B-124
 TYPE: CA-377
 TEMP RANGE: -65° - 250° F



PART NO.	A TUBE I.D.	B TUBE I.D.	M	E	D	D1	Y	Working Pressure
FBT444	1/4	1/4	1.00	.63	.16	.16	.44	2540
FBT555	5/16	5/16	1.00	.63	.22	.22	.44	1670
FBT666	3/8	3/8	1.01	.63	.28	.28	.44	1600

