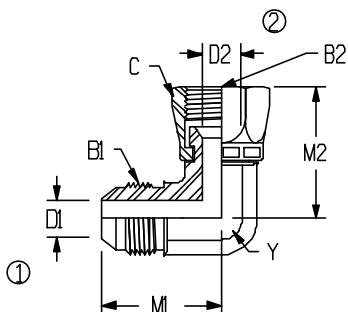


EBS: MJIC X FJIC SWIVEL 90 DEGREE ELBOW

MATERIAL: FORGED BRASS
 ASTM: B-124
 TYPE: CA-377
 TEMP RANGE: -65° - 250° F



PART NO	TUBE OD	B 1 UN/UNF-2A	B 2 UN/UNF-2B	M1	M2	C	Y	D1	D2	Working Pressure
EBS44F	1/4-1/4	7/16-20	7/16-20	1.00	1.00	0.56	0.44	0.17	0.17	3250 psi
EBS66F	3/8-3/8	9/16-18	9/16-18	1.06	1.25	0.69	0.59	0.30	0.30	2925 psi
EBS88F	1/2-1/2	3/4-16	3/4-16	1.25	1.38	0.88	0.78	0.39	0.39	2600 psi

