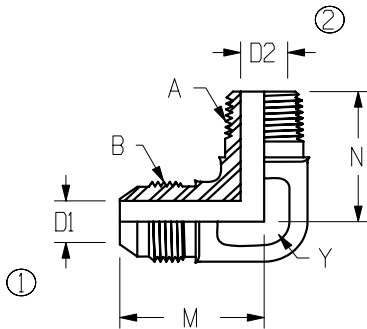


**EBC: MJIC X MNPTF 90 DEGREE ELBOW**

MATERIAL: FORGED BRASS  
 ASTM: B-124  
 TYPE: CA-377  
 TEMP RANGE: -65° - 250° F



PART NO	TUBE OD	B UN/UNF-2A	A NPTF	M	N	Y	D1	D2	Working Pressure
EBC42F	1/4	7/16-20	1/8-27	0.89	0.78	0.50	0.17	0.19	2160
EBC44F	1/4	7/16-20	1/4-18	0.95	1.09	0.63	0.17	0.28	1846
EBC46F	1/4	7/16-20	3/8-18	1.05	1.22	0.81	0.17	0.41	3905
EBC62F	3/8	9/16-18	1/8-27	1.06	0.84	0.63	0.30	0.19	3128
EBC64F	3/8	9/16-18	1/4-18	1.06	1.09	0.63	0.30	0.28	1564
EBC66F	3/8	9/16-18	3/8-18	1.15	1.22	0.81	0.30	0.41	1464
EBC68F	3/8	9/16-18	1/2-14	1.22	1.47	0.94	0.30	0.53	1265
EBC86F	1/2	3/4-16	3/8-18	1.25	1.22	0.81	0.39	0.41	1467
EBC88F	1/2	3/4-16	1/2-14	1.31	1.47	0.94	0.39	0.53	1265
EBC812F	1/2	3/4-16	3/4-14	1.40	1.59	1.13	0.39	0.72	2061
EBC108F	5/8	7/8-14	1/2-14	1.45	1.47	0.94	0.48	0.53	1265
EBC128F	3/4	1 1/16-12	1/2-14	1.66	1.56	1.13	0.61	0.53	1265
EBC1212	3/4	1 1/16-12	3/4-14	1.66	1.59	1.13	0.61	0.72	1084
EBC1216	3/4	1 1/16-12	1-11 1/2	1.78	1.97	1.38	0.61	0.94	1802
EBC1616	1	1 5/16-12	1-11 1/2	1.81	1.97	1.38	0.84	0.94	2361



Air-Way Manufacturing Co.  
 Hydraulic Fittings and Accessories

