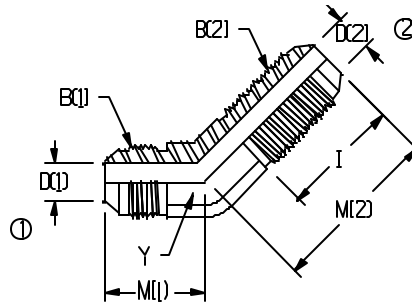


**BHB: MALE JIC 45 DEGREE
BULKHEAD ELBOW**

MATERIAL: FORGED BRASS
 ASTM: B-124
 TYPE: CA-377
 TEMP RANGE: -65° - 250° F



PART NO	TUBE OD	B (1) UN/UNF-2A	B (2) UN/UNF-2A	M(1)	M(2)	I	Y	D (1)	D (2)	Working Pressure
45-BHB66F	3/8"	9/16-18	9/16-18	1.06	1.72	1.28	0.75	0.30	0.30	3100 psi

Note: To include Lock-Nut, add -LN to the end of the Part Number



Air-Way Manufacturing Co.
 Hydraulic Fittings and Accessories

